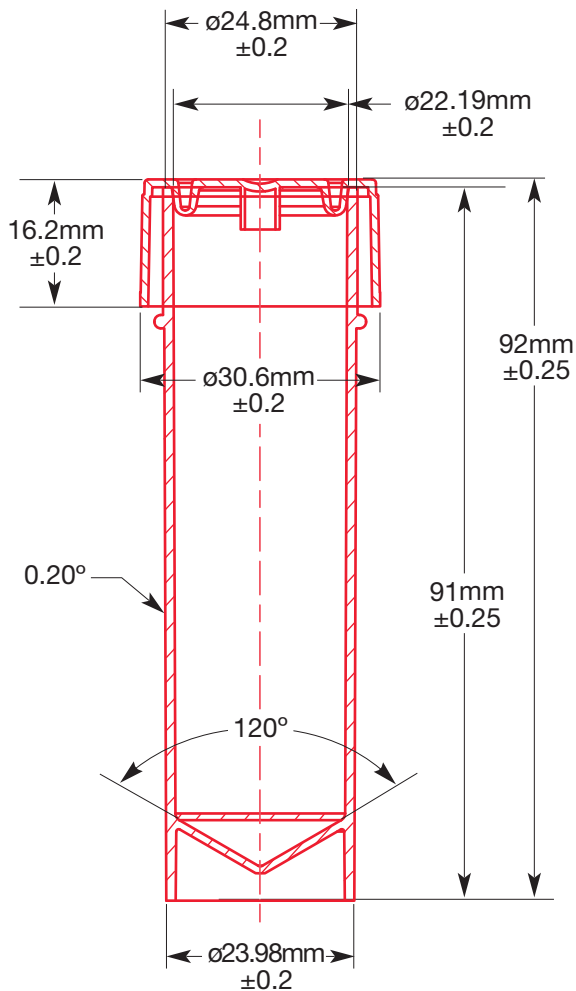


30mL Self-Standing Transport Tube - Polypropylene (PP)

Item# 109220

Description

These 30mL self-standing transport tubes with conical bottom and skirt are made from translucent polypropylene and come complete with blue polyethylene screw caps.



Features

- 30mL capacity
- 25 x 90mm
- Polypropylene (PP) tube, polyethylene (PE) screw cap
- Conical bottom with skirt
- Non-graduated

Technical Specifications

- Spin Rate: 5000 RPM
- Autoclavable: Yes, without cap
- Brittleness temperature: 0°C
- Maximum temperature: 120°C
- Sterility: Non-sterile

Products

Item#	Description	Unit
109220	30mL Conical bottom tube, PP, self-standing, with blue PE screw cap	1000