

2mL Graduated Microcentrifuge Tubes with Attached Snap Cap, Polypropylene (PP)

Item# 111552A



Description

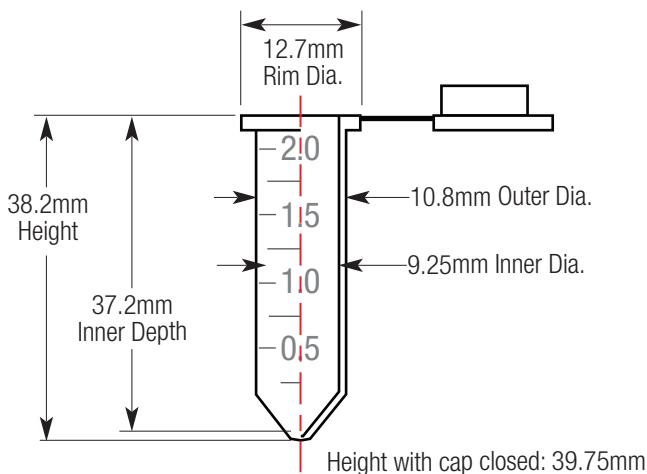
Graduated microcentrifuge tube, amber, 5000/case. 2mL capacity. Attached snap cap. Molded graduations. These polypropylene tubes are resistant to most chemical reagents and can be autoclaved at 121°C.

Features

- Polypropylene (PP)
- Attached snap cap
- Conical bottom
- Molded graduations

Products

Item#	Description	Packaging
111552A	2mL, PP, amber	5000 per case



Technical Specifications

Material: Polypropylene (PP)
 Autoclavable: Yes. 121°C for 20 minutes
 Brittleness temperature: -0°C
 Maximum temperature: 135°C
 Spin rate: 18,000 rpm