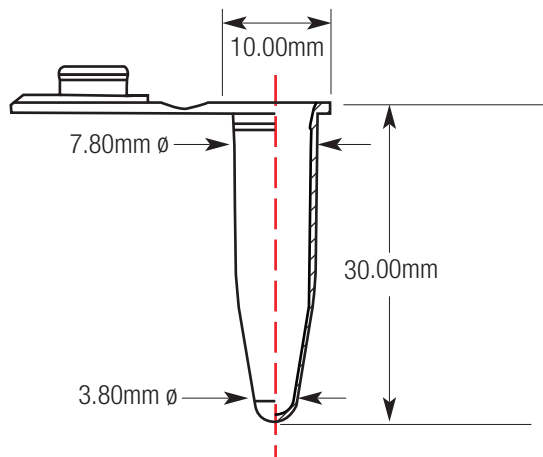


## 0.5mL Graduated Microcentrifuge Tubes with Attached Snap Cap

Item# 111554



### Description

These premium polypropylene (PP) tubes are resistant to most chemical reagents and can be autoclaved at 121°C. Each tube is molded with precise graduation marks for accurate measurements.

### Features

- Manufactured from FDA approved resins
- Certified RNase, DNase, DNA and Pyrogen free
- Heavy-Metal free
- Food grade
- Supplied in resealable, tamper-evident self-standing bags
- Large, clearly printed graduations
- Frosted writing area on each tube
- Smooth surfaces won't catch or tear gloves
- Thin cap membrane for trouble-free needle piercing
- Fit all standard and high capacity centrifuge rotors

### Technical Specifications

Material: Polypropylene (PP)  
 Autoclavable: Yes. 121°C for 20 minutes  
 Temperature Range: -80°C to + 121°C  
 Maximum temperature: 135°C  
 Spin rate: 20,000 RCF max

### Products

Item#	Description	Unit
111554	0.5mL, polypropylene (PP), natural	500
111554A	0.5mL, polypropylene (PP), amber	500
111554B	0.5mL, polypropylene (PP), blue	500
111554G	0.5mL, polypropylene (PP), green	500
111554N	0.5mL, polypropylene (PP), orange	500
111554R	0.5mL, polypropylene (PP), red	500
111554V	0.5mL, polypropylene (PP), violet	500
111554Y	0.5mL, polypropylene (PP), yellow	500
111554AST	0.5mL, polypropylene (PP), assorted	500