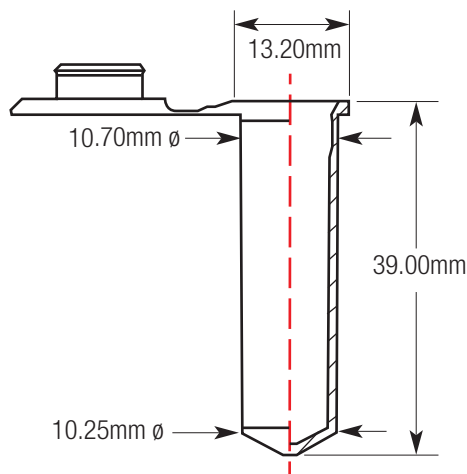


2.0mL Graduated Microcentrifuge Tubes with Attached Snap Cap

Item# 111574



Description

These premium polypropylene (PP) tubes are resistant to most chemical reagents and can be autoclaved at 121°C. Each tube is molded with precise graduation marks for accurate measurements.

Features

- Manufactured from FDA approved resins
- Certified RNase, DNase, DNA and Pyrogen free
- Heavy-Metal free
- Food grade
- Supplied in resealable, tamper-evident self-standing bags
- Large, clearly printed graduations
- Frosted writing area on each tube
- Smooth surfaces won't catch or tear gloves
- Thin cap membrane for trouble-free needle piercing
- Fit all standard and high capacity centrifuge rotors

Technical Specifications

Material: Polypropylene (PP)

Autoclavable: Yes. 121°C for 20 minutes

Temperature Range: -80°C to + 121°C

Maximum temperature: 135°C

Spin rate: 20,000 RCF max

Products

Item#	Description	Unit
111574	2.0mL, polypropylene (PP), natural	500
111574A	2.0mL, polypropylene (PP), amber	500
111574B	2.0mL, polypropylene (PP), blue	500
111574G	2.0mL, polypropylene (PP), green	500
111574N	2.0mL, polypropylene (PP), orange	500
111574R	2.0mL, polypropylene (PP), red	500
111574V	2.0mL, polypropylene (PP), violet	500
111574Y	2.0mL, polypropylene (PP), yellow	500
111574AST	2.0mL, polypropylene (PP), assorted	500