

12mm Flanged Plug Cap, Low Density Polyethylene (LDPE)

Item# 118127



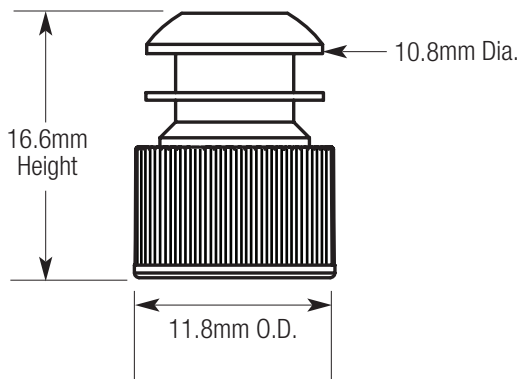
Description

These polyethylene (PE) flanged plug caps provide exceptional leak-resistance in test tubes, centrifuge tubes and round cuvettes. They feature two flexible flanges that press firmly against the inside wall of the tubes, thereby providing better leak-resistance than standard plug caps.

Features

- Superior leak-resistance
- Low density polyethylene (LDPE)
- Assorted colors

Packaging: 1000 per bag
20 bags/case



Products

Item#	Description	Packaging
118127B	Cap, Flange Plug, 12mm, Blue	Pack of 1000
118127C	Cap, Flange Plug, 12mm, Clear	Pack of 1000
118127G	Cap, Flange Plug, 12mm, Green	Pack of 1000
118127K	Cap, Flange Plug, 12mm, Black	Pack of 1000
118127L	Cap, Flange Plug, 12mm, Lavender	Pack of 1000
118127N	Cap, Flange Plug, 12mm, Orange	Pack of 1000
118127R	Cap, Flange Plug, 12mm, Red	Pack of 1000
118127W	Cap, Flange Plug, 12mm, White	Pack of 1000
118127Y	Cap, Flange Plug, 12mm, Yellow	Pack of 1000